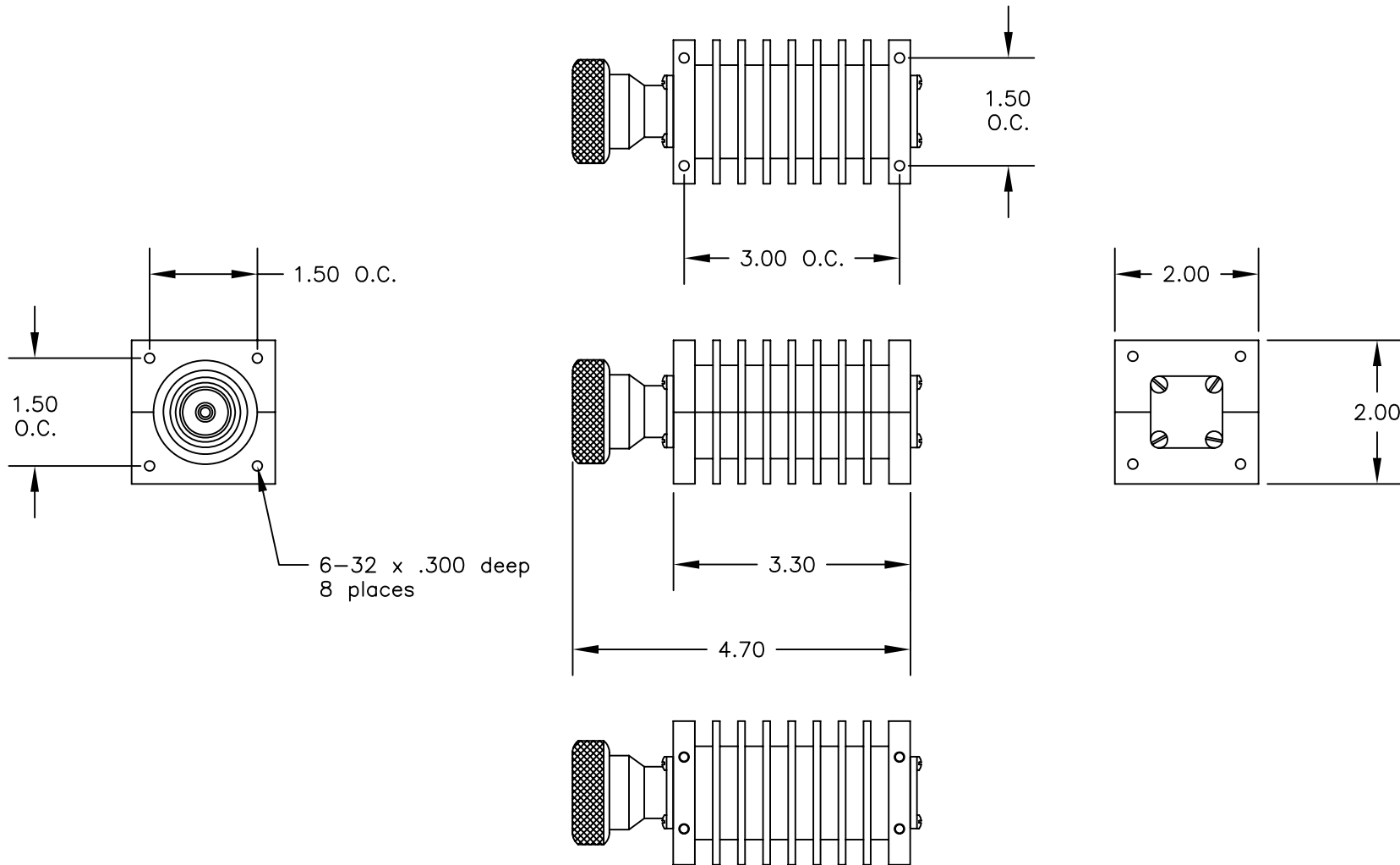


Approved Internet/Email Copy.



NOTE: Unit shown with 7-16 Male connector.
N, 7-16, BNC, SMA, & TNC (Male & Female) are all available.

BroadWave Technologies, Inc.				ECF#	DONE BY	DATE	REV	Proprietary Information				TOLERANCE CHART					
				0518	MT	11-09-07	A					Fractional Dimensions	± 1/64	2 Place Decimals	± .010		
50 & 75 Watt Termination, 7-16 Male				0529	AK	11-16-07	B	APPROVALS				MATERIAL SPECIFICATION INFORMATION					
				DRAWN BY		DATE						MATERIAL TYPE		Connectors: Brass		Body: Aluminum	
DWG. NO.	DATE	SCALE	REV LEVEL	DRAWN BY		DATE		APPRVD BY		DATE		FINISH		Connectors: Nickel		Body: Black Anodized	
MED - 0370	11-16-07	1 : 2	REV B	MCA		7-28-04											